

maestro

M4.0 PRO SERIES

FINAL INSPECTION



Vacuum system for **complete residue removal**

- ✓ Removes any remaining lungs and other small parts
- ✓ Available with options to address your specific challenges
- ✓ Highest uptime in the market

MEYN®



Meyn® Final Inspection

Processing efficiency and product quality

The Final Inspection is strategically positioned in a 240° curve on the overhead conveyor, typically right after the neck breaker. Birds are fed into the machine with their backs towards the center. A static guide ensures precise alignment into the processing unit, with a centering bracket between the legs for accuracy.

Advanced vacuum unit

Once the birds are correctly positioned, the suction head, equipped with a vacuum unit, moves into the body cavity. The vacuum is then activated, and with a triple stroke movement, it efficiently removes any small loose pieces.

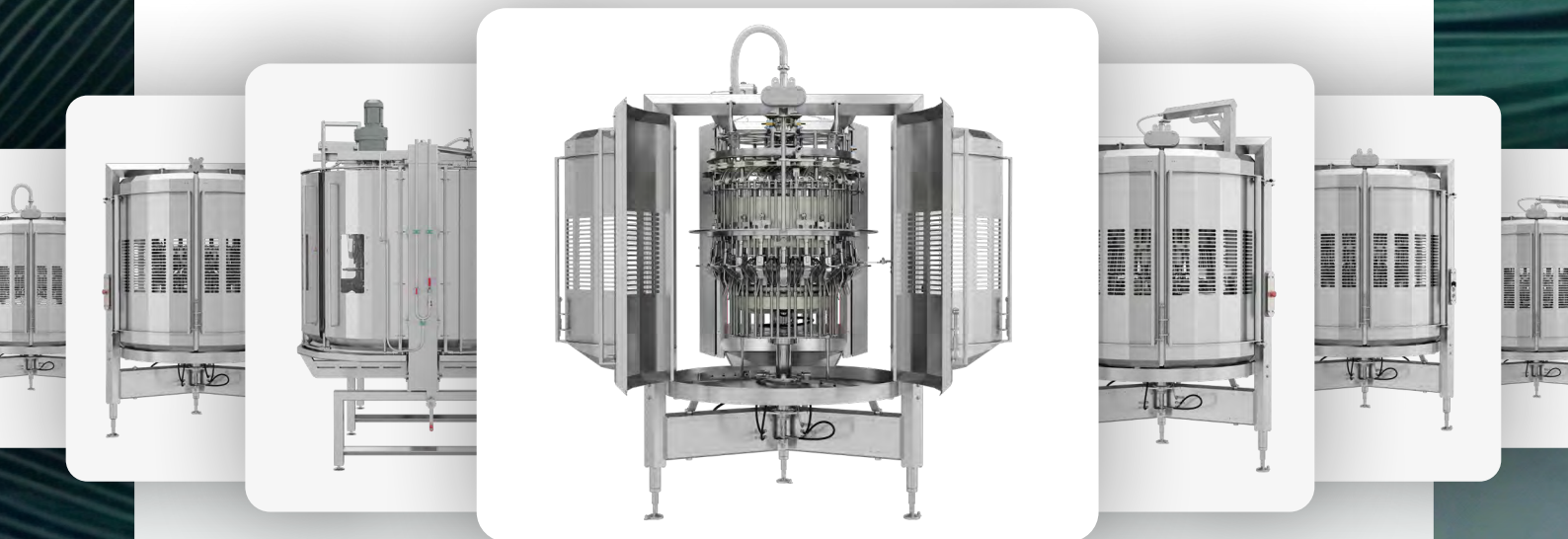
This setup guarantees thorough inspection and cleaning, enhancing overall processing efficiency and product quality.

Performance

Optimized yield, effortless cleaning

The improved free positioning system allows for a wide weight range to be processed within one machine setting. In combination with the 240° curve, which creates more processing time per bird, a high yield for every step in the process is guaranteed.

Experience effortless cleaning with our newly designed frame with integrated piping and wiring, featuring open access processing units, for a sleek and functional design.



Safety

Enhanced safety and efficiency

Meyn is dedicated in providing safe working environments to our customers. The safety concept of the Maestro M4.0 Pro Series is designed around the 'Door open = Line off' principle. All settings are adjustable from the outside, or automatically, while the line is running. The modules can be completely cleaned with the line off. Increased safety without operational limitations.

maestro



Guaranteed
**high
yield**

Effortless
cleaning

Save up to
50%
maintenance
time

Maintenance

Faster, easier maintenance

The Tri-pod frame design ensures comprehensive accessibility for effortless maintenance. With split units and a modular shaft design, maintenance time is slashed by up to 50%. Additionally, the Maestro M4.0 Pro modules share most of their wear parts, significantly lowering the need for extensive safety stock.

Options

Fully adjustable to your business needs

✓ **Flock Control**

Dealing with the machine settings for different flocks can be a challenge. With this option the settings of the equipment can be stored and recalled on the satellite panel. Based on breed and average live weight. The settings of all Maestro M4.0 Pro Series equipment in line are changed with one push of a button. Now everyone can run the line at high efficiency.

✓ **Water Saving**

Save up to 15% of water. With this option we track the birds through your production line and automatically turn the water supply on and off.

No birds = no water.

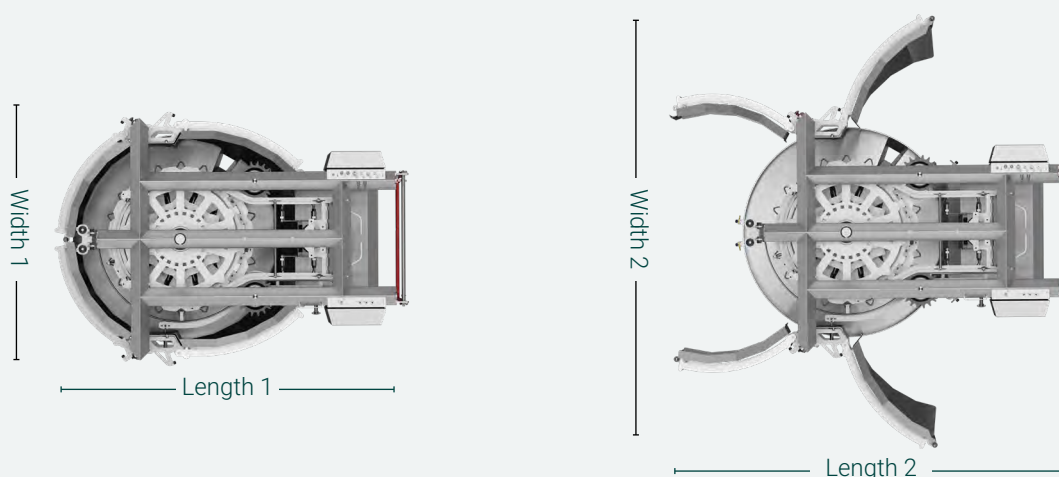
✓ **Unit Cleaning***

Keep your performance stable during a shift by automatically applying medium pressure water to rinse the processing units when there are no birds in the machine. Keep it clean, keep it running.

* Only available in combination with the water saving option. Requires a connection of 30 bar water (30-40 °C, G3/8", 11.2 l/min). A pressure pump kit for the line is available to boost the standard water pressure.

Specifications Meyn® Maestro M4.0 Pro Series

Live weight	Kg [lbs.]	Standard broilers: 1,6 – 3,6 [3.5 – 8] Small birds: 0,5 – 1,8 [1.1 – 3.7]	Big birds: 2,5 – 5,5 [5.5 – 12]
Shackle pitch	inch	6"	8"
Model		20 units	15 units
Capacity	bph [bpm]	13.500 [225]	10.500 [175]
Length (L1)	mm [inch]	2.620 [103.2]	2.620 [103.2]
	(L2)	3.001 [118.2]	3.001 [118.2]
Width (W1)	mm [inch]	1.880 [74.0]	1.880 [74.0]
	(W2)	3.246 [127.8]	3.246 [127.8]
Height (H)	mm [inch]	2.766 [108.9]	2.766 [108.9]



Utility connections Meyn® Final Inspection

Water connection 1	BSP	G1/2"
Pressure	bar	3
Flow	l/min	5,7
Water connection 2*	BSP	G1.1/2"
Pressure	Bar	10
Flow	l/min	max. 100 (occasionally)
Air connection	BSP	1/4"
Pressure	Bar	8
Flow	nl/min	1.000 (consumption negligible)
Vacuum connection	BSP	G1/2"
Pressure	Bar	-0,9
Flow	nm ³ /h	180
Drain connection	DIN Flange D=158mm T=6mm	

* For periodic cleaning of the vacuum nozzles. When combined with the Meyn Inside/Outside Washer and the Water Saving option, the system enables fully automatic water flushing. Additionally, airflow is primarily used for regular air-based flushing to maintain optimal performance.



What's your **next** **move?**

Meyn® Consultancy & Audits

- Enhance your operational efficiency
- Expand your production capabilities
- Identify new market opportunities

Meyn® Academy

- Safeguard investments and enhance profitability
- Specific system and machine training
- Customer specific training options

Meyn® demo's

- Products, services and insights
- Tailormade demo's based on your needs
- Available online in multiple languages

Secure **business** **continuity**

Meyn Services provides comprehensive support to optimize the performance and reliability of Meyn equipment.

With a strong emphasis on global reach and local presence, Meyn offers various services to ensure customer satisfaction and operational efficiency.

Technical Support

- ✓ Global assistance
- ✓ Corrective and preventive services
- ✓ 24/7 Helpdesk

Maintenance

- ✓ Tailored maintenance
- ✓ Updates and inspections
- ✓ Machine maintenance

Parts

- ✓ OEM replacement parts
- ✓ Always available
- ✓ eProcurement portal



Visit meyn.com

Birds prefer **MEYN**®

**Meyn Food Processing
Technology B.V.**

P.O. Box 16, 1510 AA Oostzaan
The Netherlands
Phone: +31 (0)20 2045 000
Email: sales@meyn.com

Meyn America LLC

1000 Evenflo Drive,
Ball Ground, Georgia 30107, USA
Toll Free: 1 888 881 MEYN (6396)
Email: sales.usa@meyn.com

**Find your nearest Meyn
representative:**

www.meyn.com/meyn-worldwide

Version 01-06-2026

The data published, under reservation of all our rights, is to the most recent information at the moment of publication and subject to future modifications. Meyn reserves the right to modify the construction and the execution of its products at any time. No rights can be derived from this publication.

meyn.com