

MEYN® LEAP CONCEPT

# Low investment Expendable Automatic Processing

- ✓ Think big, start small
- ✓ Expand from 1,300 to 15,000 bph
- ✓ Start your business with minimum investment

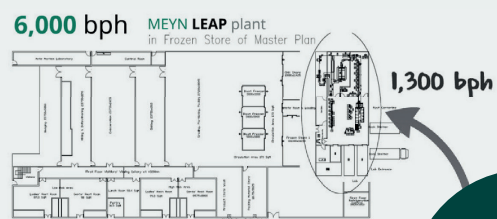
MEYN®

# First grow your market, then expand your plant accordingly

The Meyn® LEAP Concept is a uniquely flexible solution. LEAP allows you to start a small initial footprint plant with a minimal initial investment. The advanced and proven technology allows you to easily expand your plant along with your growing market. Each expansion is carried out in collaboration with Meyn experts, in line with our unique 4-step approach:

## Step 1: Identify your ideal location

- ✓ Big enough for your final capacity
- ✓ Close to farms
- ✓ Close to your market
- ✓ Adequate water supply and means for disposal of treated wastewater
- ✓ Convenience of management control
- ✓ Ideally, with approval from local pollution control authority



**Identify**  
approximately  
300 m<sup>2</sup>

## Step 2: Prepare a site master plan

- ✓ The longterm comprehensive plan for your business
- ✓ Should reflect your growth and expansion plans
- ✓ Plans should show your start-up capacity layout of 1,300 bph

**Space**  
for growth and  
expansion



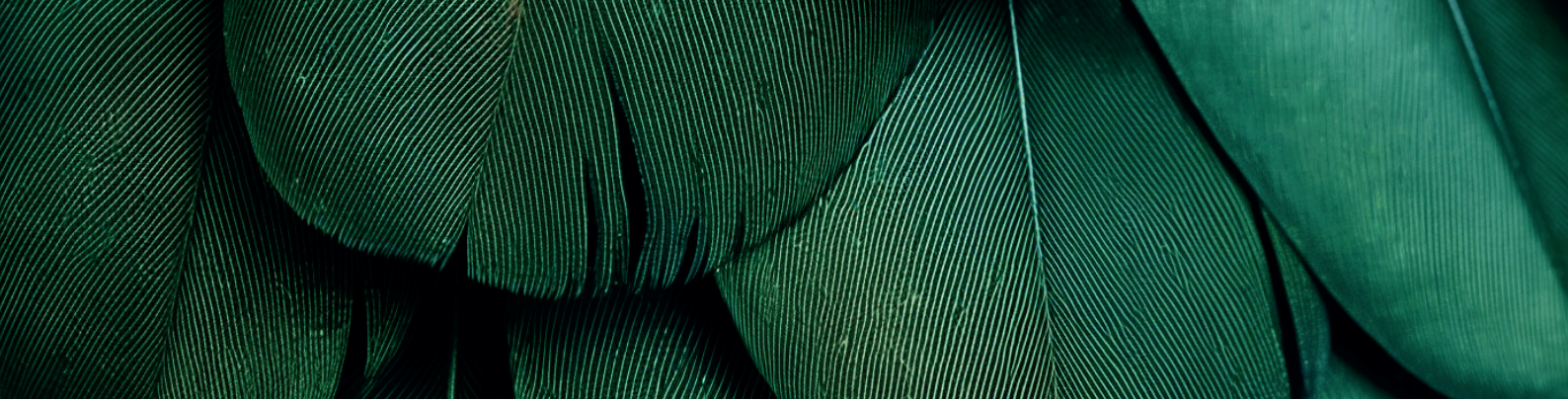
### Step 3: Easy and rapid construction

- ✓ Walls: cam-lock PUR sandwich panels glued in position
- ✓ Roof: truss type steel sheet roofing
- ✓ Floor: dewatered granolithic with frost-heave protection

The LEAP Concept incorporates advanced and proven Meyn technology from the first stage of the process onwards. In most cases, no existing equipment needs to be replaced. Instead, the equipment is simply incorporated into the plant. With its cost-effective flexibility, the Meyn® LEAP Concept enables processors to expand with minimum financial injection.

### Step 4: Expand and upgrade

- ✓ When you want to expand, order the additional equipment
- ✓ Already construct the building before receiving the equipment
- ✓ Include all utilities and services for the expanded capacity
- ✓ Install the new equipment on receipt of shipment
- ✓ During a 2-day shutdown of your LEAP plant: we dismantle, relocate and integrate your existing equipment into expanded capacity



# Think big, start small:

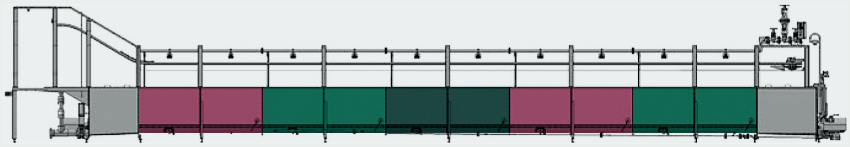
start your business with  
minimum investment

## A modular design:

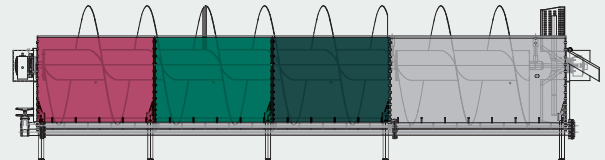
- ✓ Uses latest technology equipment (as in high speed lines)
- ✓ Nearly all equipment upgradable to 15,000 bph
- ✓ Major cost savings right from the beginning



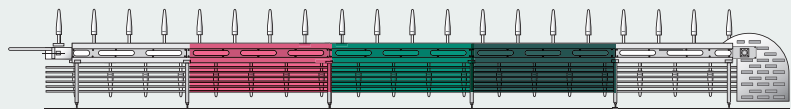
## Scalder



## Chiller



## Cone deboner



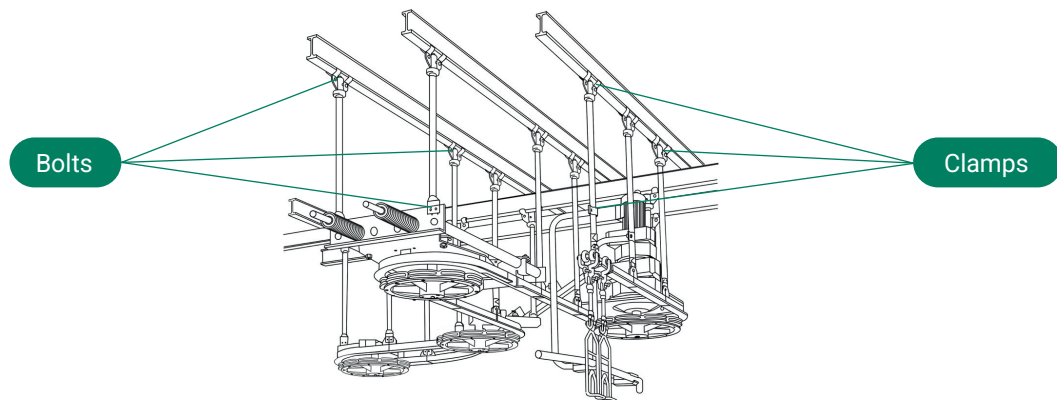
1,300 bph

15,000 bph

# Dismantling and relocation made easy

## Galvanized T-tracks and bolted design ensure:

- ✓ Easy relocation
- ✓ No risk for rust, because there is no welding or cutting necessary
- ✓ Significantly more cost-effective than stainless steel assemblies



## Helping you maximize your uptime and enjoy the lowest cost of ownership

At Meyn, our commitment doesn't stop when your Meyn equipment is installed.

That's because we take pride in offering a comprehensive range of tailored support and maintenance services. We've been delivering this level of service for almost 60 years, based on our knowledge and experience supporting Meyn equipment in different conditions all over the world.

**The LEAP concept incorporates Meyn's  
top-of-the-line technology at all stages**



# What's your **next move?**

## **Meyn® Consultancy & Audits**

- Enhance your operational efficiency
- Expand your production capabilities
- Identify new market opportunities

## **Meyn® Academy**

- Safeguard investments and enhance profitability
- Specific system and machine training
- Customer specific training options

## **Meyn® demo's**

- Products, services and insights
- Tailormade demo's based on your needs
- Available online in multiple languages

## Secure **business continuity**

Meyn Services provides comprehensive support to optimize the performance and reliability of Meyn equipment.

With a strong emphasis on global reach and local presence, Meyn offers various services to ensure customer satisfaction and operational efficiency.

### **Technical Support**

- ✓ Global assistance
- ✓ Corrective and preventive services
- ✓ 24/7 Helpdesk

### **Maintenance**

- ✓ Tailored maintenance
- ✓ Updates and inspections
- ✓ Machine maintenance

### **Parts**

- ✓ OEM replacement parts
- ✓ Always available
- ✓ eProcurement portal



Visit [meyn.com](https://meyn.com)

Birds prefer **MEYN**®

### **Meyn Food Processing Technology B.V.**

P.O. Box 16, 1510 AA Oostzaan  
The Netherlands  
Phone: +31 (0)20 2045 000  
Email: [sales@meyn.com](mailto:sales@meyn.com)

### **Meyn India Private Limited**

539, Stellar Business Park, Sector Tech Zone  
Plot No. 03, Greater Noida, Gautam Buddha Nagar  
Uttar Pradesh, 201310, India  
Mobile: +91 (0)120 691 0900  
Email: [meynindia@meyn.com](mailto:meynindia@meyn.com)

### **Find your nearest Meyn representative:**

[www.meyn.com/meyn-worldwide](https://www.meyn.com/meyn-worldwide)

Version 02-02-2026

The data published, under reservation of all our rights, is to the most recent information at the moment of publication and subject to future modifications. Meyn reserves the right to modify the construction and the execution of its products at any time. No rights can be derived from this publication.

**[meyn.com](https://meyn.com)**